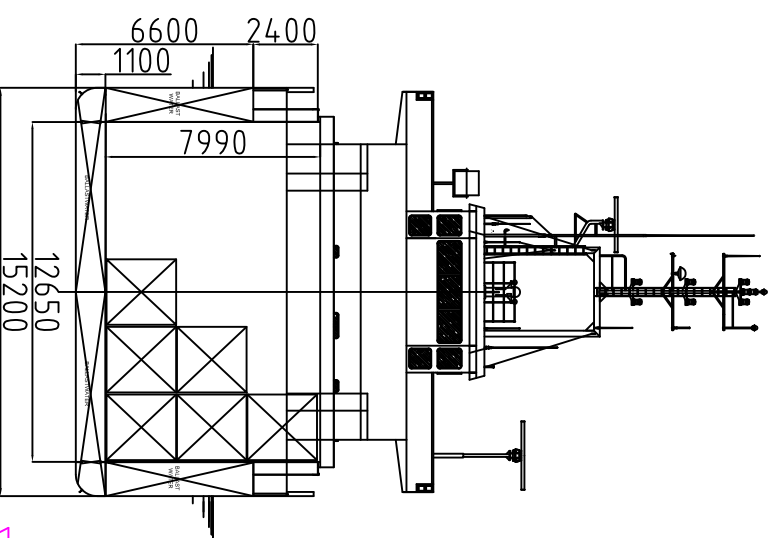
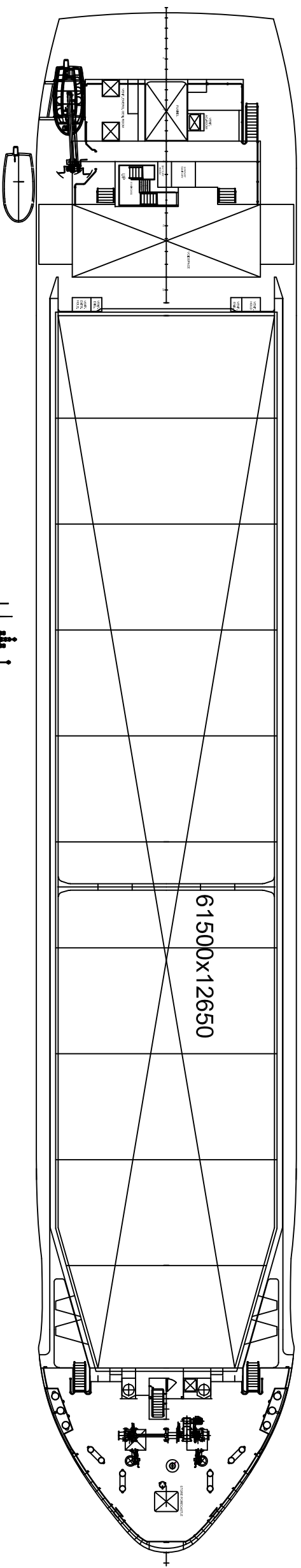
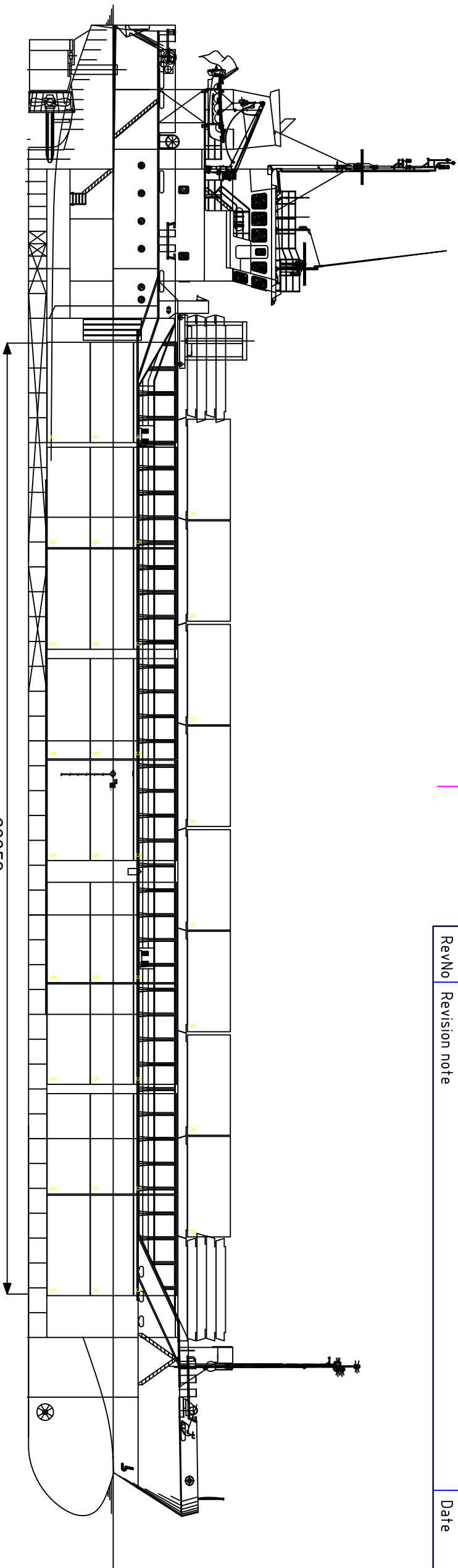


RevNo Revision note

Date

Signature Checked



Itemref	Quantity	Title/Name, designation, material, dimension etc		Article No./Reference
Designed by		Checked by	Approved by - date	Date
				Scale N/A

Intership Navigation

A-DIEP CLASS

10001

Edition 0
Sheet 1/1